

OIS-L Antennas

AN.77.SR.05/06



The RFID System OIS-L was developed especially for tough industrial applications. With shock-resistance and protection up to IP67, availability is ensured even when mounted directly onto trucks and forklifts. The system is well proven with number-rich clients, as well as under extremely harsh environmental conditions.

OIS-L is used in industrial production lines and in the corresponding supply logistics. The data tag can be attached to the workpiece, the workpiece carrier or the charge carrier. Another main area of use is logistic processes, especially the control of the outgoing goods in block warehouses.

Stockpile identification with RFID has helped many clients to achieve 100% transparency and control over storage. This, along with substantially improved vehicle organization, with the help of the OIS-L RFID System contributes to greater savings.

The antennas are passive; in particular any OIS-L antenna is only the inductive part of the systems resonance circuit. In general antennas have to be used in an air environment. Special antennas for mounting directly onto metal are available.

- Passive transponder
- Automatic adjustment
- Flexible application adjustment
- Temperature-proof transponder
- Large write and read ranges
- Serial and Profibus versions
- Customized antennas possible

Readers

The readers provide the antenna with the power required for the data transfer and the analog signals. The standard reader operates 2 antennas. On the other side the readers create the connection to the process. If desired, the direct connection to the process takes place through digital inputs and outputs. Standard serial as well as Profibus host interfaces are available off-the-shelf.

Antennas

IDEN TEC SOLUTIONS' long-standing experience becomes apparent in the availability of antennas for very diverse application areas. Antennas are available for mounting directly onto metal or outside. An excellent system property is the possibility of fine-tuning the antenna even after it has been integrated in the facility.

Data tags

The OIS-L system works with data tags of the IC types Hitag 1 and Hitag 2 by Philips as well as read-only types, e.g. EM 4102 by EMM. Furthermore heat-resistant data tags are a special feature of this system.

IDENDEC SOLUTIONS

IDENDEC SOLUTIONS is the global leader in active wireless tracking solutions. A commitment to developing ground-breaking, industry-specific tracking solutions featuring proprietary patented technology has placed IDENDEC SOLUTIONS in the international forefront as a technology provider for innovation and as a complete solution provider in the automotive, oil, gas and mining industries.

Utilized by the world's leading organizations and system integrators, IDENDEC SOLUTIONS' award-winning technology portfolio offers robust, highly effective tracking solutions that manage critical process and optimize supply chain flow. Privately held since 1999, IDENDEC SOLUTIONS has provided asset management solutions and support to a variety of organizations, including an impressive roster of Fortune 500 clients such as Volkswagen, Audi, Deutsche Post and General Electric. Headquartered in Lustenau, Austria, the company's North American headquarters are located in Dallas, Texas, with customer service centers in Hong Kong, Germany, Australia and Norway. For more information, please visit: www.identecsolutions.com.

Information in this document is subject to change without notice and becomes contractual only after written confirmation by IDENDEC SOLUTIONS.

"IDENDEC SOLUTIONS", "Intelligent Long Range", "ILR", "i-LINKS", "i-Q", "i-D", "i-B", "i-CARD", "i-PORT", "Solutions. It's in our name.", "Smarten up your assets." and the stylized "i" are trademarks or registered trademarks of IDENDEC SOLUTIONS, Inc. and/or IDENDEC SOLUTIONS AG.

Copyright © 2008 by IDENDEC SOLUTIONS. All rights reserved.

Technical Data

Operating Data

In difference to the AN.77.SR.05 the antenna AN.77.SR.06 has an internal ferrite rod while the housing is identical. Thus, the antenna field has a special shape which influences reading distance and maximum passing speed of a transponder.

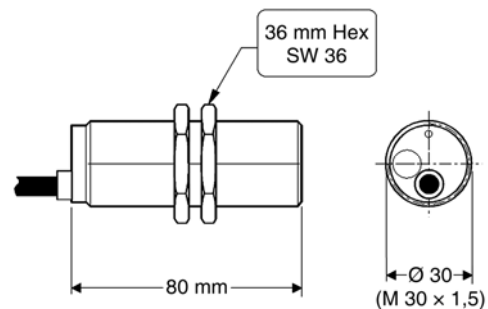
Operating frequency	125 kHz
Tuning	Free air
Cable	5 m fixed mounted, PUR, min. bending radius: 50 mm, static use

Type designation: Order code

AN.77.SR.05.01:	100 398
AN.77.SR.06.01:	100 464

Mechanical Data

Housing	AN.77.SR.05:	PVC, red
	AN.77.SR.06:	PVC, grey
Weight	AN.77.SR.05:	60 g antenna, 320 g incl. cable
	AN.77.SR.06:	80 g antenna, 340 g incl. cable
Dimensions	M30 × 1.5 mm, 80 mm long (pls. see drawing below)	



Environmental Conditions

Temperature range	0 to +50 °C (Operating) -10 to +60 °C (Storage)
-------------------	--

Protection class	IP67
------------------	------

www.identecsolutions.com

IDENDEC SOLUTIONS AG
Millennium Park 2
6890 Lustenau
Austria
Tel. +43 5577 87387 0
Fax +49 5577 87387 15
info@identecsolutions.at

IDENDEC SOLUTIONS
Deutschland GmbH
Hertzstrasse 10
69469 Weinheim
Germany
Tel.: +49 (0)6201 9957-0
Fax: +49 (0)6201 9957-99

IDENDEC SOLUTIONS, Inc.
Liberty Plaza II, Suite 375
5057 Keller Springs Rd,
Addison, Texas 75001
USA
Tel: (972) 535 4144
Fax: (469) 424-0404

IDENDEC SOLUTIONS
Asia Limited
12/F, Unit 1202, ING Tower
308-320, Des Voeux Road C.
Hong Kong
Tel. (852) 28051816
Fax (852) 28051814

IDENDEC SOLUTIONS AS
Skarpenland
4715 ØVREBØ
Norway
Tel. +47 38 13 91 53
Fax +47 38 13 96 91

IDENDEC SOLUTIONS
Australia Pty Ltd
Suite 4/125
Terralong Street, Kiama
NSW 2529
Australia
Tel.: +61 2 4232 4999
Fax: +61 2 4232 4888