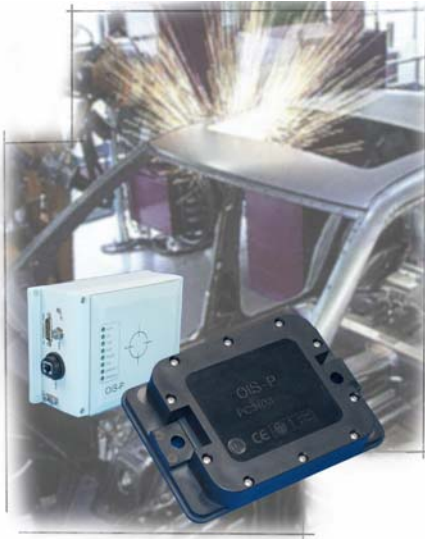


OIS-P Tag PC3403/x32A



The 3 types of read and write data tags PC3403/x32A are a part of the OIS-P PC3400 series. It is designed and built for normal temperature applications requiring dynamic storage of small amounts of user data, fast data transfer, high reliability and long life.

The rugged design and excellent climatic resistance allows indoor as well as outdoor, stationary or mobile installation. Its compact design facilitates the use of one single type data tag throughout the entire main line.

The PC3403/x32A can operate together with a wide range of OIS-P communicators in the PC3100, PC3300 and PC3400 series to meet most application requirements.

- 32 kBytes read/write Data Tag
- Rugged Design for Rough Environment
- Operates with Every OIS-P Communicator
- Long Battery Lifetime: > 5 Years

About the OIS-P Auto-ID System in General

Communication Range

Using appropriate antennas this data tag provides a communication range of up to 10 m, as well as an excellent reading and writing capability with fast moving objects.

Long Battery Lifetime

The OIS-P technology maximizes the battery lifetime. The data tag is of a semi-active type, normally held in a passive state. Battery lifetime typically exceeds 5 years.

Data Tags for Every Use

A variety of data tags are available for various applications with memory sizes of up to 32 Kbytes. They differ in read/write range, memory sizes and housing designs.

Fast Data Transfer Rate Unlimited Memory Life

The RAM memory design allows an unlimited number of read-write cycles while enabling high data transmission rates. This also gives the opportunity for identification of fast moving objects. The user data is backed up by a lithium battery.

Connection Guaranteed

The central units and compact communicators are off-the-shelf available with several interfaces like Profibus and Ethernet. Other interfaces are available on request.

Heat-Resistant Data Tags

Heat-resistant data tags are applicable for temperatures up to 235 °C cyclic.

IDENDEC SOLUTIONS

IDENDEC SOLUTIONS is the global leader in active wireless tracking solutions. A commitment to developing ground-breaking, industry-specific tracking solutions featuring proprietary patented technology has placed IDENDEC SOLUTIONS in the international forefront as a technology provider for innovation and as a complete solution provider in the automotive, oil, gas and mining industries.

Utilized by the world's leading organizations and system integrators, IDENDEC SOLUTIONS' award-winning technology portfolio offers robust, highly effective tracking solutions that manage critical process and optimize supply chain flow. Privately held since 1999, IDENDEC SOLUTIONS has provided asset management solutions and support to a variety of organizations, including an impressive roster of Fortune 500 clients such as Volkswagen, Audi, Deutsche Post and General Electric. Headquartered in Lustenau, Austria, the company's North American headquarters are located in Dallas, Texas, with customer service centers in Hong Kong, Germany, Australia and Norway. For more information, please visit: www.idendec.com.

Information in this document is subject to change without notice and becomes contractual only after written confirmation by IDENDEC SOLUTIONS.

"IDENDEC SOLUTIONS", "Intelligent Long Range", "ILR", "I-LINKS", "I-Q", "I-D", "I-B", "I-CARD", "I-PORT", "Solutions. It's in our name.", "Smarten up your assets." and the stylized "i" are trademarks or registered trademarks of IDENDEC SOLUTIONS, Inc. and/or IDENDEC SOLUTIONS AG.

Copyright © 2007 by IDENDEC SOLUTIONS. All rights reserved.

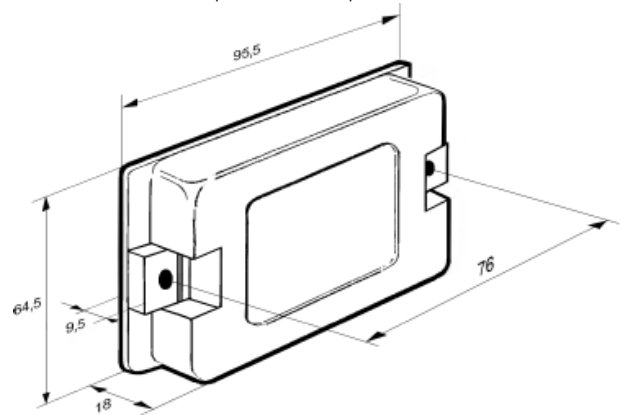
Technical Data

Operating Data

Data rate PC3404/L32A	3.2 kbits/s read from data tag, 6.2 kbits/s write to data tag, low speed, order code: 163 570
Data rate PC3404/M32A	66 kbits/s read from data tag, 42 kbits/s write to data tag, medium speed, order code: 161 549
Data rate PC3404/H32A	267 kbits/s read from data tag, 166 kbits/s write to data tag, high speed, order code: 161 550
Memory	32 kBytes RAM, depending on formatting max. 226 files
RAM memory life	unlimited number of read/write cycles

Mechanical Data

Weight	120 g
Casing	Polyphenylenesulfide (PPS), black
Mounting proposal	2 screws M5
Dimensioned drawing	All dimensions in mm, tolerance $\pm 0,5$ mm



Environmental conditions

Temperature range	-40 to +75 °C (Operating and storage)
Protection class	IP67, ref: IEC 529
Vibration (operating)	Random 0,03 g ² /Hz, 10 – 200 Hz; 0,01 g ² /Hz, 00 – 2.000 Hz; 3 hours in ± 3 axes, ref: EN60721-3-2, IEC60068-2-64
Bump (survival)	40 g, 6 ms, halfsine $\times 4'000$ in 3 axes; ref: IEC 68-2-29 Test Ed
Shock (survival)	100 g, 6 ms, halfsine $\times 10$ in 3 axes, ref: IEC 60721-3-2
Free fall (survival)	1'000 mm $\times 60$ falls, Ref: IEC 68-2-32 Test Ed
Solar radiation (survival)	1.12 kW/m ² $\times 56$ days, Ref: IEC 68-2-5, Test Sa class C
CE conformity	OIS-P complies to the R & TTE guideline 99/5/EC (R & TTE: Radio and telecommunications terminal equipment)
	EMC: EU Guideline 89/336 EWG
	ESD: EN 61000-4-2
	RF Immunity: EN 61000-4-3

All values are specified at 20 °C, unless otherwise noted.

www.idendec.com

IDENDEC SOLUTIONS AG
Millennium Park 2
6890 Lustenau
Austria
Tel. +43 5577 87387 0
Fax +49 5577 87387 15
info@idendec.com

IDENDEC SOLUTIONS
Deutschland GmbH
Hertzstrasse 10
69469 Weinheim
Germany
Tel.: +49 (0)6201 9957-0
Fax: +49 (0)6201 9957-99

IDENDEC SOLUTIONS, Inc.
Liberty Plaza II, Suite 375
5057 Keller Springs Rd,
Addison, Texas 75001
USA
Tel: (972) 535 4144
Fax: (469) 424-0404

IDENDEC SOLUTIONS
Asia Limited
12/F, Unit 1202, ING Tower
308-320, Des Voeux Road C.
Hong Kong
Tel. (852) 28051816
Fax (852) 28051814

IDENDEC SOLUTIONS AS
Skarpenland
4715 ØVREBØ
Norway
Tel. +47 38 13 91 53
Fax +47 38 13 96 91

IDENDEC SOLUTIONS
Australia Pty Ltd
Suite 4/125
Terralong Street, Kiama
NSW 2533
Australia
Tel.: +61 2 4232 4999
Fax: +61 2 4232 4888